

RS35



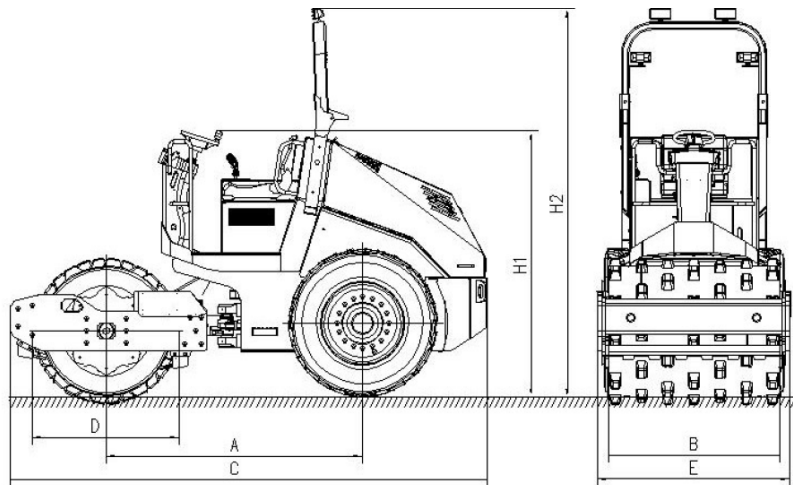
RS35 Technical Specifications

Performance Data

Operating Weight	7250 lb
Vibration Frequency	2460 vpm
Centrifugal Force (High / Low)	19,109 / 9667 lbs
Travel Speed with Vibration	5.6 mph
Gradeability Maximum	55%
Drum Thickness	.6"
Drive	Hydrostatic

Engine

Engine Manufacturer	Yanmar
Engine Model	4TNV88 - Diesel
Cooling	liquid -cooled
Number of Cylinders	4
Output Power	47 HP
Operating Speed	2400 rpm
Fuel Tank Capacity	13.2 gal



Dimensions

Wheelbase	A	71 in
Drum Width	B	47.2 in
Overall Length	C	131 in
Drum Diameter	D	47.2 in
Overall Width	E	53 in
Height 1 (ROPS folded)	H1	74 in
Overall Height	H2	108 in

Standard Equipment

- Poclain hydraulic drive motors
- Danfoss hydraulic exciter motor
- Comfort all-weather awning kit
- Folding ROPS with seat belt
- Working lights
- Strobe beacon
- Mirror Kit
- Backup Alarm
- Drum scrapers

Optional Equipment

- Padfoot drum shell
- Hydraulic dozer blade *(factory install only)*