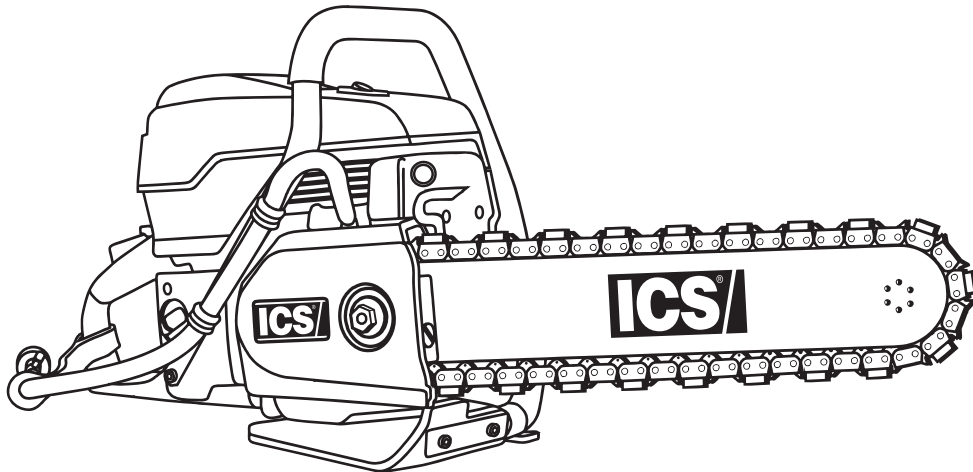




# Replacement Parts & Accessories



## 695XL Gas Concrete Saw

# TABLE OF CONTENTS

## 695XL Gas Saw

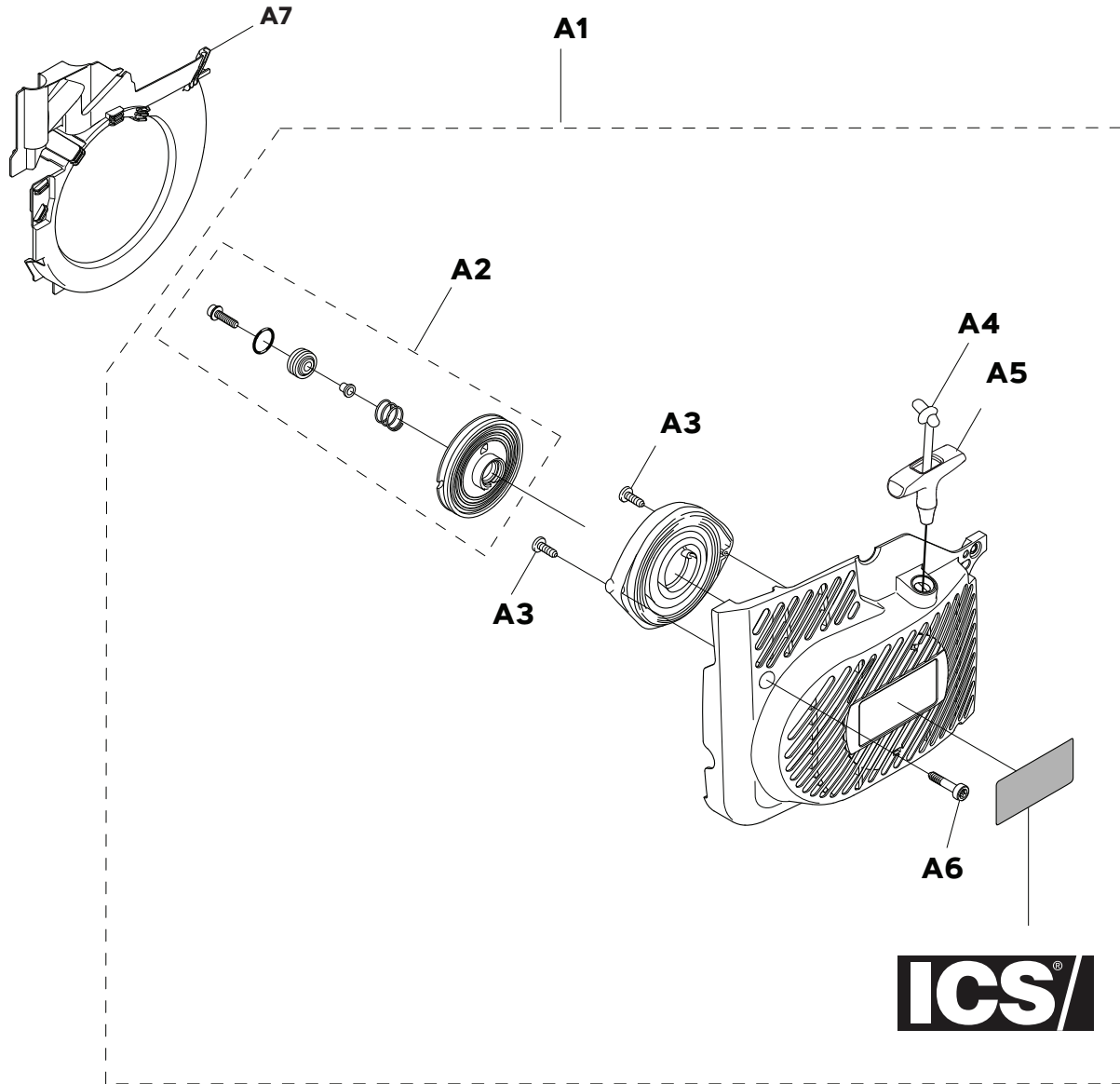
| ITEM DESCRIPTION                       | KEY | PAGE |
|--|-----|------|
| 695XL Gas Saw Service Items            | n/a | 2    |
| Starter Assembly                       | A   | 3    |
| Flywheel & Ignition Assembly           | B   | 4    |
| Clutch Assembly & WallWalker®          | C   | 5    |
| Side Cover & Tensioner Assembly        | D   | 6    |
| Cylinder & Exhaust Assemblies          | E   | 7    |
| Crankcase Assembly                     | F   | 8    |
| Crankshaft Assembly                    | G   | 9    |
| Carburetor & Intake Assemblies         | I   | 11   |
| Cylinder & Air Filter Cover Assemblies | J   | 12   |
| Fuel Tank Assembly                     | K   | 13   |
| Water Delivery System                  | L   | 14   |

# SERVICE ITEMS

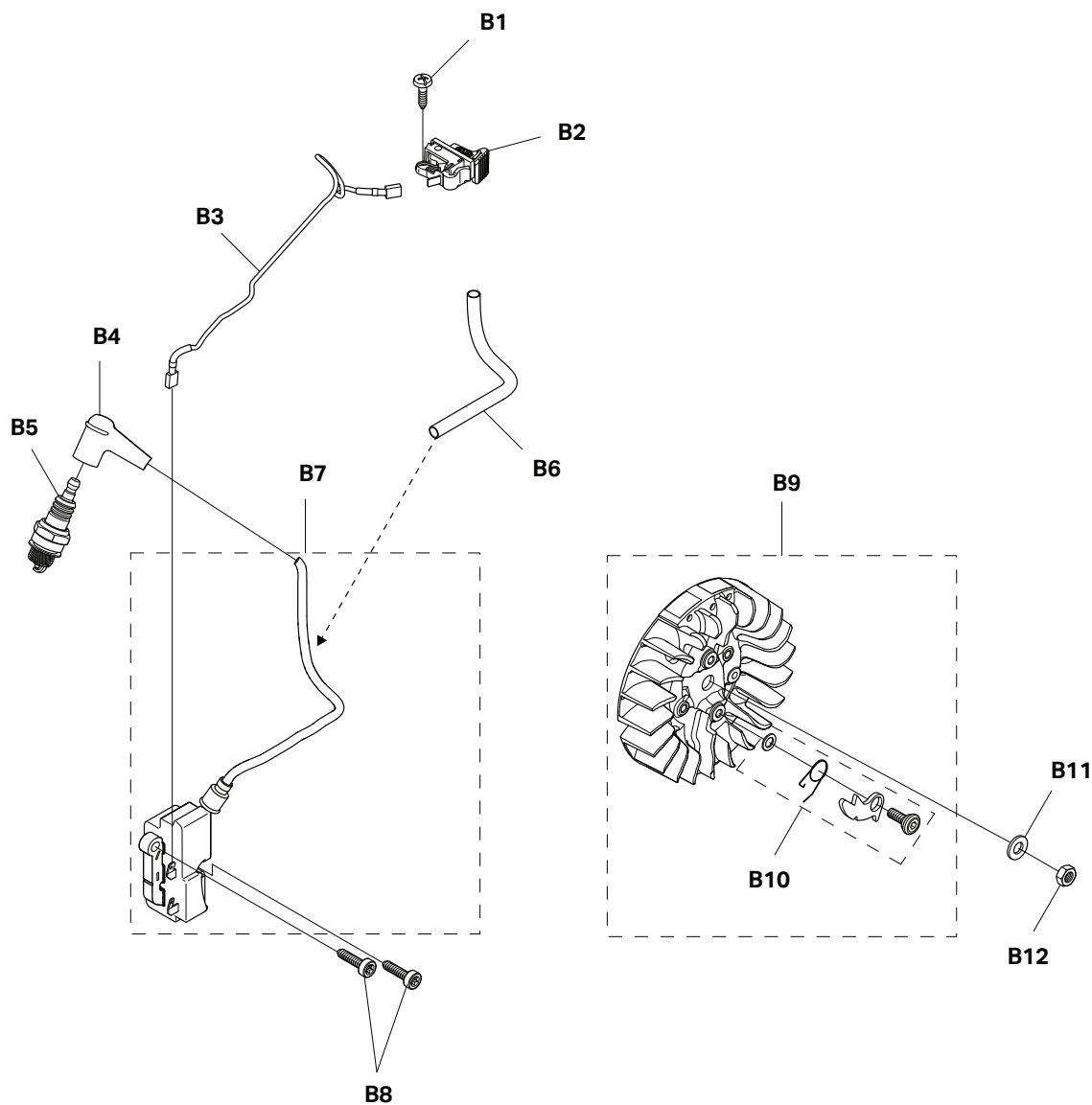
## 695XL Gas Concrete Saw



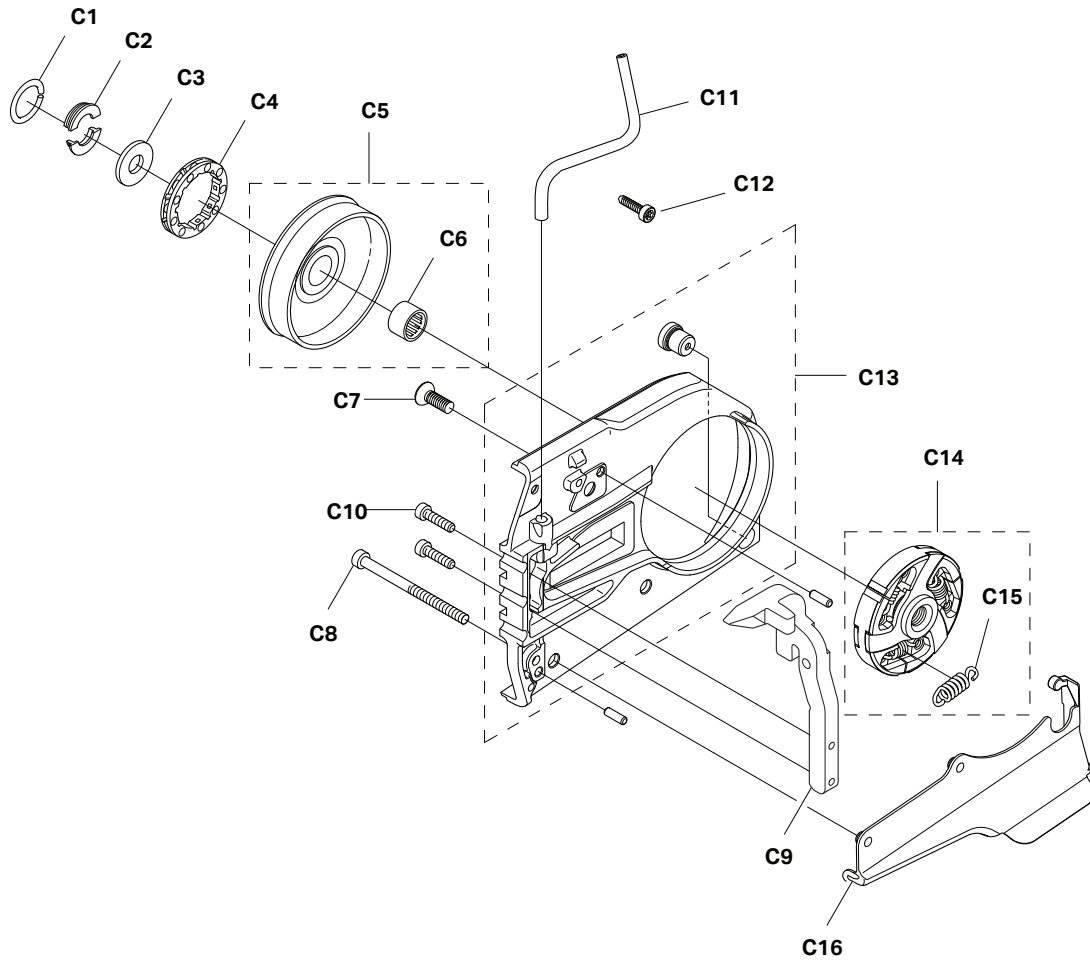
| Key #     | Part No. | Description                            |
|-----------|----------|--|
| 1         | 71541    | Pressure Gauge Bulb                    |
| 2         | 71543    | Cylinder Assembly Clamps & Piston Stop |
| 3         | 546191   | Workshop Key Torx T27                  |
| 4         | 546193   | Air Gap Gauge                          |
| 5         | 546194   | Flywheel Puller                        |
| 6         | 547277   | Piston Stop                            |
| 7         | 546196   | Wrist Pin Punch                        |
| 8         | 546197   | Cylinder Seal, Exhaust                 |
| 9         | 546198   | Cylinder Seal, Inlet Port              |
| 10        | 546289   | Puller, Sealing Ring                   |
| 11        | 546292   | Universal Puller                       |
| 12        | 546293   | Grip Plate                             |
| 13        | 546295   | Bearing Press                          |
| 14        | 546307   | Screwdriver, Idle                      |
| not shown | 546659   | Clutch Tool                            |
| not shown | 544120   | Flat Blade Srench                      |
| not shown | 544119   | Torque Srench                          |
| not shown | 571227   | OIL, 2-STROKE 2.6 OZ(6-PACK)           |



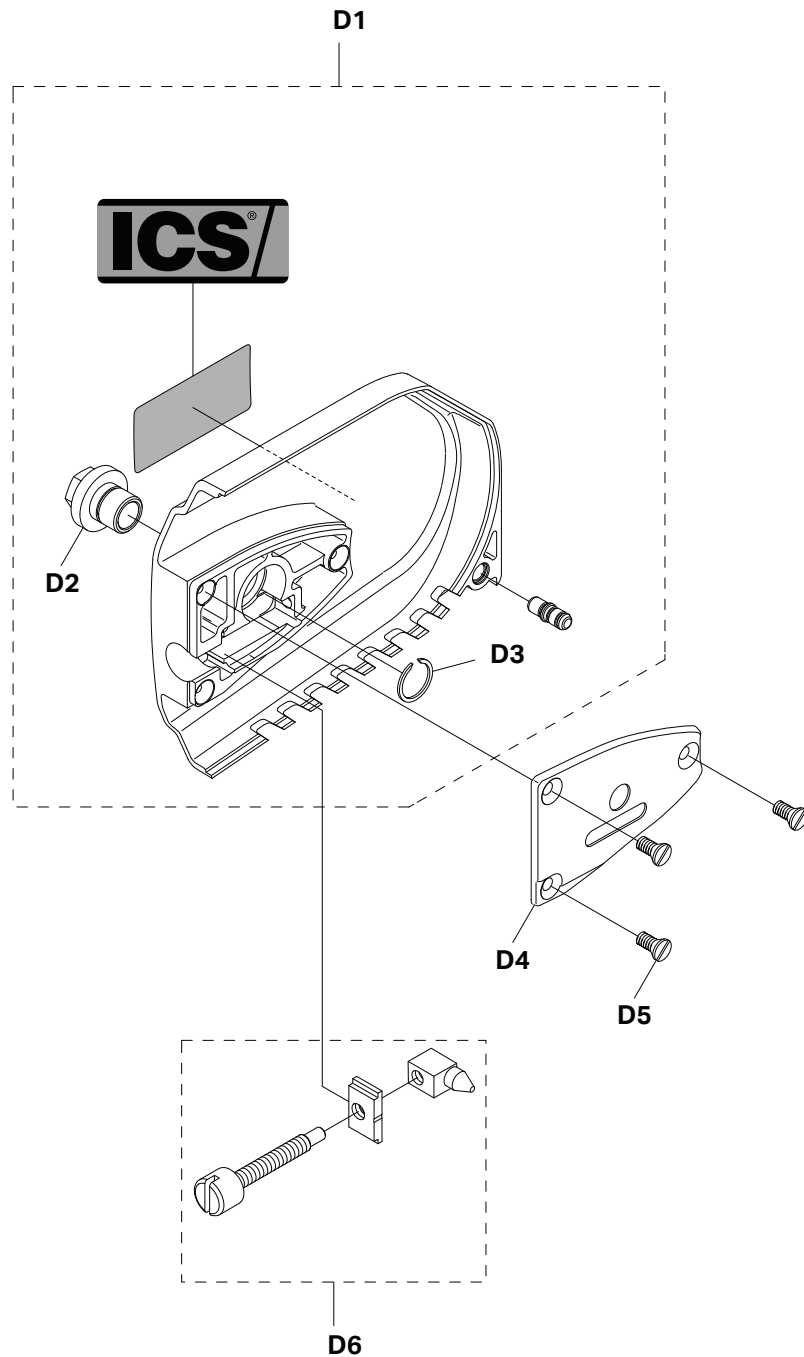
| Key # | Part No. | Description            |
|-------|----------|------------------------|
| A1    | 544013   | STARTER COVER ASSEMBLY |
| A2    | 544127   | STARTER PULLEY KIT     |
| A3    | 543974   | SCREW                  |
| A4    | 544023   | STARTER CORD           |
| A5    | 544024   | STARTER HANDLE         |
| A6    | 544012   | SCREW                  |
| A7    | 544026   | STARTER COVER SHIELD   |



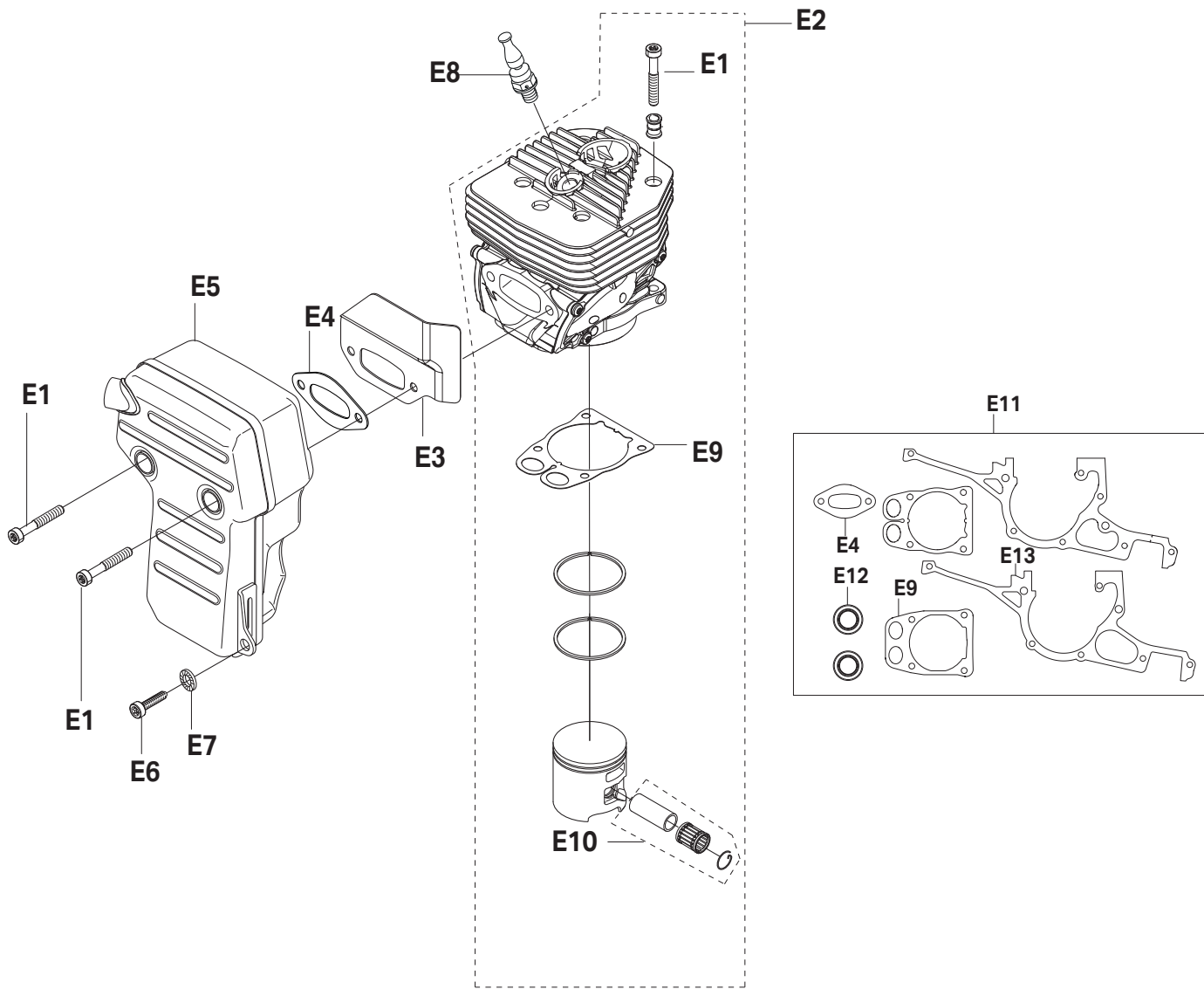
| Key # | Part No. | Description                               |
|-------|----------|---|
| B1    | 544030   | STOP SWITCH SCREW                         |
| B2    | 544031   | STOP SWITCH                               |
| B3    | 544032   | STOP SWITCH CABLE                         |
| B4    | 544033   | SPARK PLUG CAP                            |
| B5    | 544034   | SPARK PLUG                                |
| B6    | 544035   | PROTECTIVE SLEEVE                         |
| B7    | 544036   | IGNITION MODULE                           |
| B8    | 544038   | IGNITION MODULE SCREW                     |
| B9    | 544053   | FLYWHEEL                                  |
| B10   | 544125   | STARTER PAWL KIT (INCL. TWO OF EACH ITEM) |
| B11   | 544058   | STARTER WASHER                            |
| B12   | 544059   | STARTER NUT                               |



| Key # | Part No. | Description                |
|-------|----------|----------------------------|
| C1    | 543905   | RETAINING RING             |
| C2    | 551384   | SPLIT RETAINER, 695 (PAIR) |
| C3    | 543907   | SPACER                     |
| C4    | 525496   | 695F4 FORCE4® SPROCKET     |
| C4    | 70949    | 695GC RIM SPROCKET         |
| C5    | 543909   | CLUTCH CUP                 |
| C6    | 543910   | NEEDLE BEARING             |
| C7    | 543911   | BAR BRACKET SCREW          |
| C8    | 543912   | CRANK CASE BOLT            |
| C9    | 544130   | WALLWALKER®                |
| C10   | 543920   | WALLWALKER® SCREW          |
| C11   | 543915   | WATER PIPE                 |
| C12   | 546548   | WATER PIPE SCREW           |
| C13   | 543916   | BAR BRACKET                |
| C14   | 547856   | CLUTCH KIT                 |
| C15   | 543928   | CLUTCH SPRING              |
| C16   | 544137   | SHIELD                     |

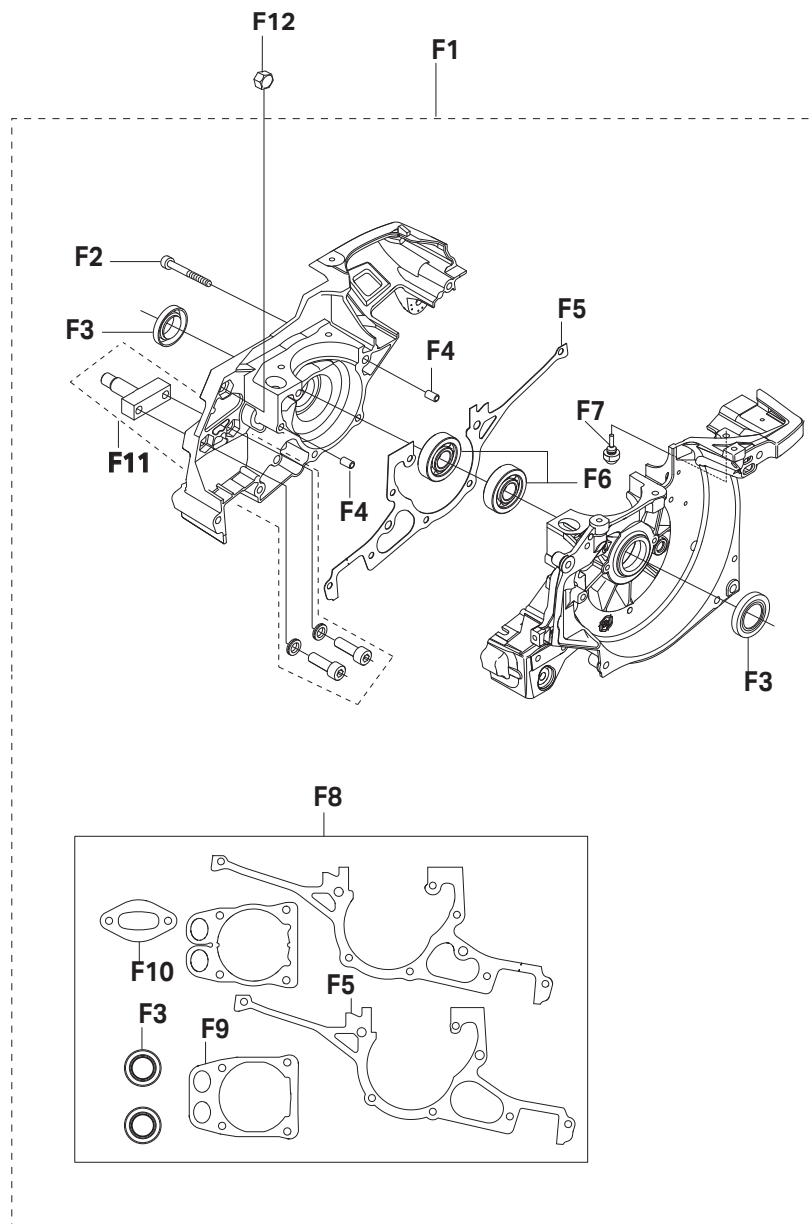


| Key # | Part No. | Description                    |
|-------|----------|--------------------------------|
| D1    | 543899   | SIDE COVER (INCLUDES #D2 & D3) |
| D2    | 543900   | SIDE COVER NUT                 |
| D3    | 543901   | SIDE COVER NUT CIRCLIP         |
| D4    | 543902   | TENSIONER COVER PLATE          |
| D5    | 543903   | SCREW, SIDE COVER CAP          |
| D6    | 543904   | TENSIONER                      |

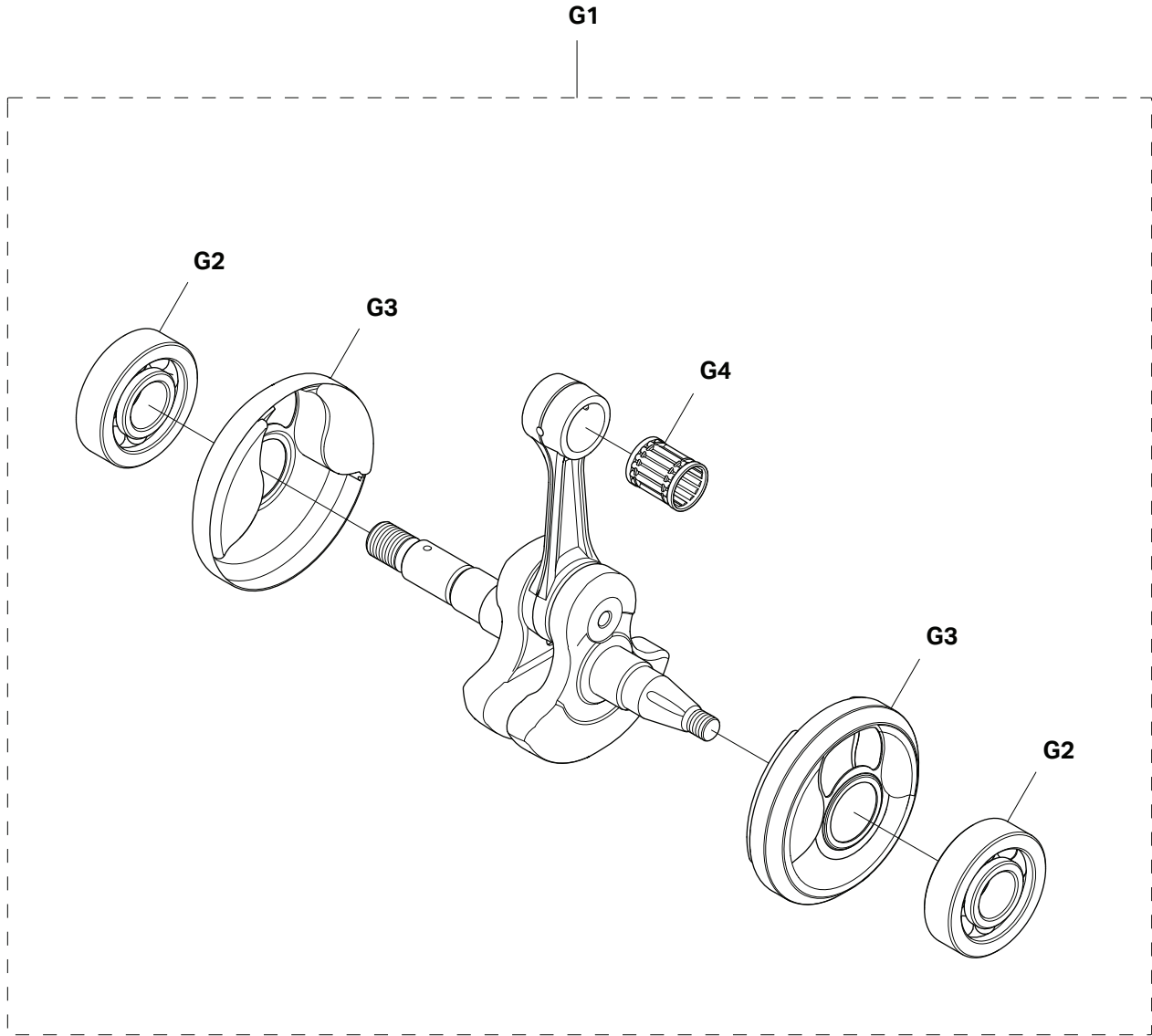


| Key # | Part No. | Description                  |
|-------|----------|------------------------------|
| E1    | 543942   | CYLINDER/MUFFLER SCREW       |
| E2    | 576169   | PISTON/CYLINDER KIT          |
| E3    | 543844   | HEAT DEFLECTOR               |
| E4    | 543938   | MUFFLER GASKET               |
| E5    | 543845   | MUFFLER                      |
| E6    | 543846   | LOWER MUFFLER MOUNTING SCREW |
| E7    | 543847   | MUFFLER MOUNTING WASHER      |
| E8    | 576166   | DECOMPRESSION VALVE          |
| E9    | 576165   | CYLINDER BASE GASKET         |
| E10   | 543949   | NEEDLE BEARING               |
| E11   | 543936   | GASKET KIT                   |
| E12   | 543931   | SEALING RING                 |
| E13   | 543933   | CRANKCASE GASKET             |



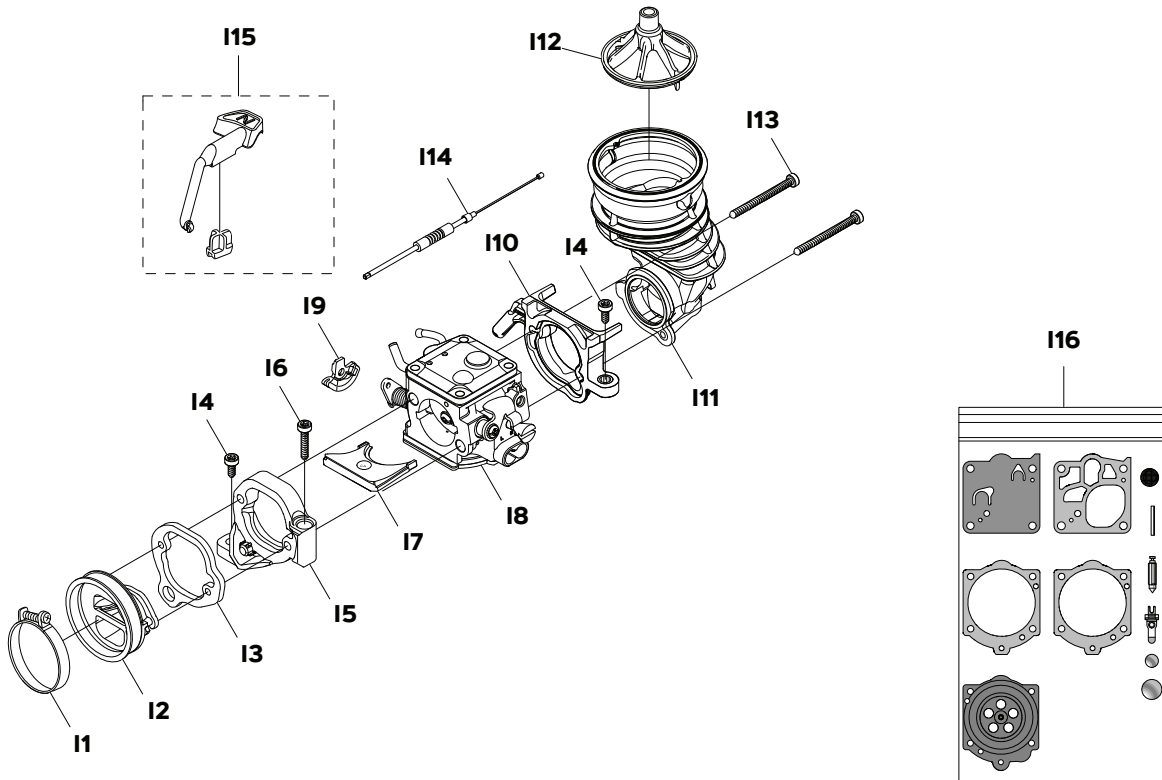


| Key # | Part No. | Description          |
|-------|----------|----------------------|
| F1    | 576170   | CRANKCASE ASSEMBLY   |
| F2    | 543930   | CRANKCASE SCREW      |
| F3    | 543931   | SEALING RING         |
| F4    | 543932   | GUIDE BUSHING        |
| F5    | 543933   | CRANKCASE GASKET     |
| F6    | 543934   | MAIN BEARING         |
| F7    | 543935   | RUBBER BUSHING       |
| F8    | 543936   | GASKET KIT           |
| F9    | 543937   | CYLINDER BASE GASKET |
| F10   | 543938   | MUFFLER GASKET       |
| F11   | 544129   | BAR STUD KIT         |
| F12   | 543941   | BAR BRACKET FASTENER |

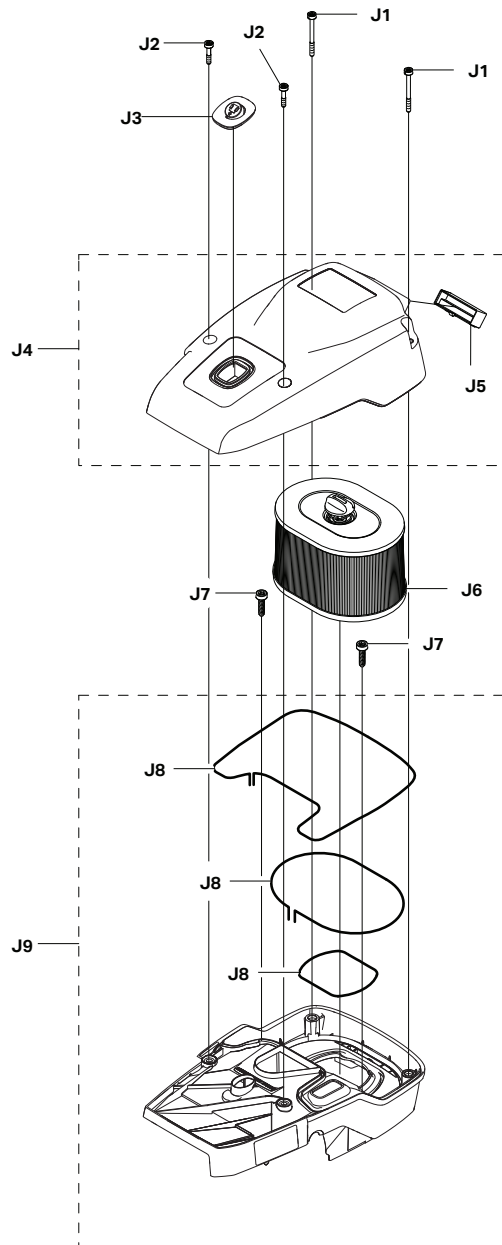


| Key # | Part No. | Description         |
|-------|----------|---------------------|
| G1    | 543952   | CRANKSHAFT ASSEMBLY |
| G2    | 543934   | MAIN BEARING        |
| G3    | 543953   | CRANKSHAFT SHIELD   |
| G4    | 543949   | NEEDLE BEARING      |

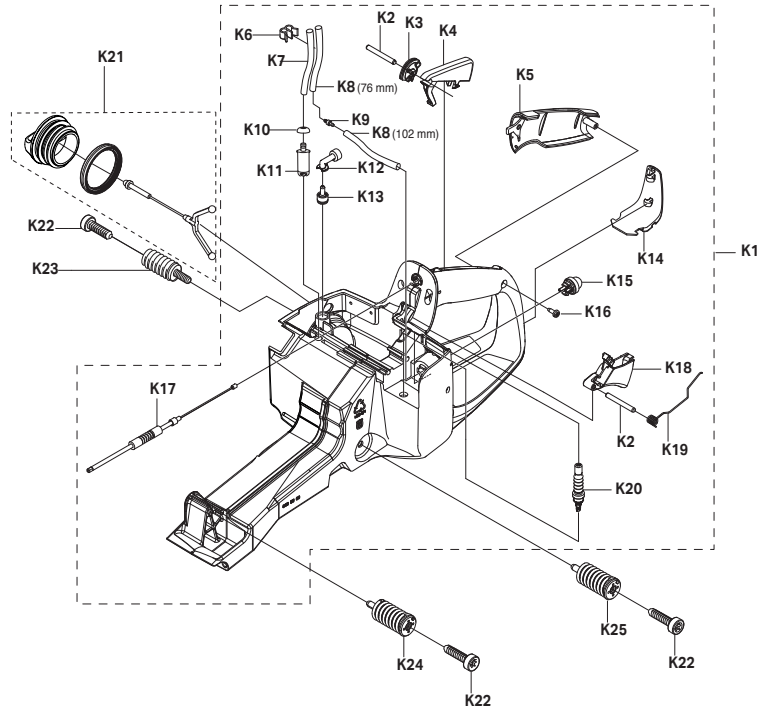
THIS PAGE INTENTIONALLY LEFT BLANK



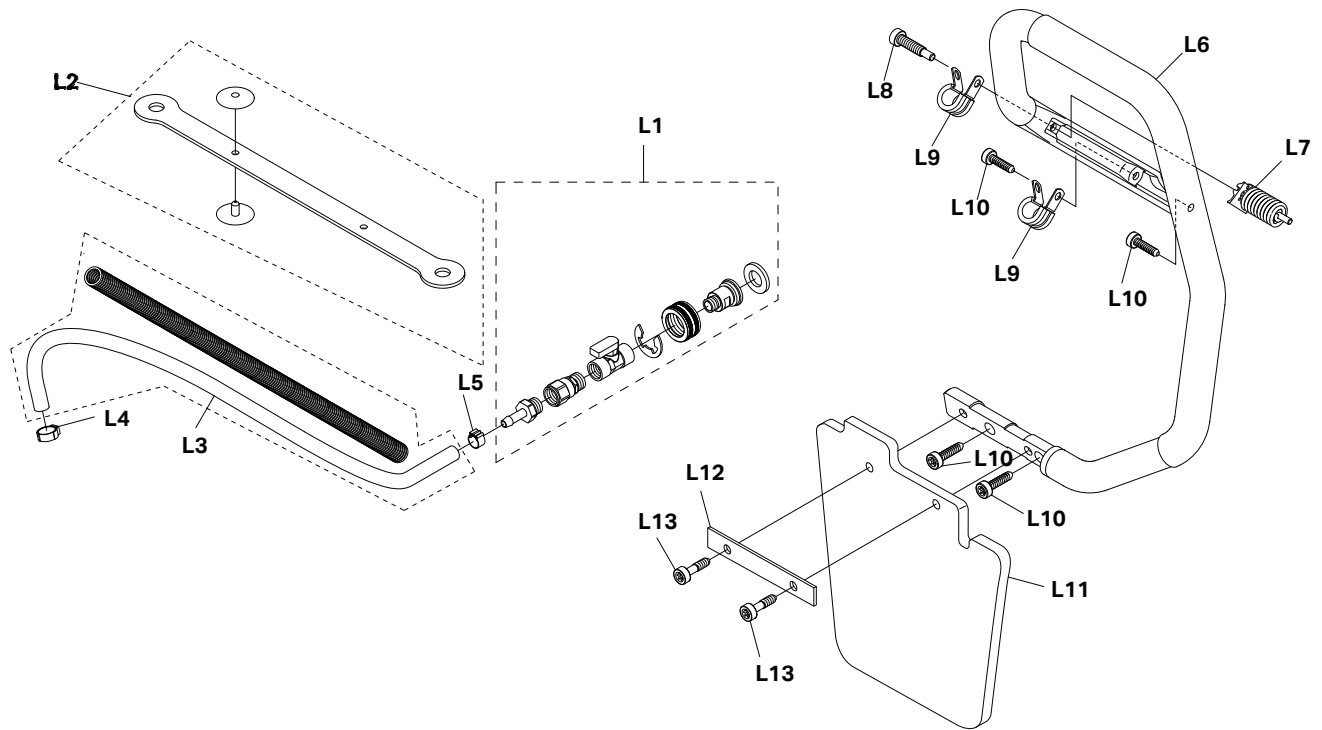
| Key # | Part No. | Description  |
|-------|----------|--|
| I1    | 544069   | INLET BOOT CLAMP   |
| I2    | 544070   | INLET BOOT   |
| I3    | 544071   | FLANGE   |
| I4    | 544072   | FLANGE CLUTCH SIDE SCREW   |
| I5    | 544073   | FLANGE BRACKET   |
| I6    | 544065   | SCREW  |
| I7    | 544074   | SEPARATOR PLATE  |
| I8    | 544075   | CARBURETOR (WALBRO RWJ-7)  |
| I9    | 544111   | THROTTLE CABLE LEVER   |
| I10   | 544112   | MANIFOLD BRACKET   |
| I11   | 544113   | AIR INTAKE MANIFOLD  |
| I12   | 544114   | AIR FILTER BRACKET   |
| I13   | 544115   | CARBURETOR MOUNTING SCREW  |
| I14   | 543975   | THROTTLE CABLE ASSEMBLY  |
| I15   | 544117   | CHOKE LEVER  |
| I16   | 576161   | CARBURETOR REPAIR KIT (Only for 695XL, will not fit 695GC/F4/PG) |



| Key # | Part No. | Description                                     |
|-------|----------|---|
| J1    | 544060   | FILTER COVER REAR SCREW                         |
| J2    | 544061   | FILTER COVER FRONT SCREW                        |
| J3    | 576167   | PLUG (may be required on older 695GC/F4 models) |
| J4    | 544062   | FILTER COVER                                    |
| J5    | 544063   | AIR INTAKE INSERT                               |
| J6    | 544064   | AIR FILTER                                      |
| J7    | 544065   | CYLINDER COVER SCREW                            |
| J8    | 544067   | CYLINDER COVER SEALS                            |
| J9    | 544066   | CYLINDER COVER ASSEMBLY                         |



| Key # | Part No. | Description                  |
|-------|----------|------------------------------|
| K1    | 543812   | FUEL TANK ASSEMBLY           |
| K2    | 543813   | PARALLEL PIN                 |
| K3    | 543814   | CABLE LEVER                  |
| K4    | 543815   | THROTTLE LOCK OUT LEVER      |
| K5    | 543816   | REAR HANDLE COVER            |
| K6    | 543818   | CLIP                         |
| K7    | 543993   | FUEL LINE                    |
| K8    | 543994   | CHECK VALVE TUBE             |
| K9    | 543969   | CHECK VALVE                  |
| K10   | 543970   | HOSE CLAMP                   |
| K11   | 543971   | FUEL FILTER                  |
| K12   | 544990   | TANK VENT ELBOW              |
| K13   | 544122   | TANK VENT                    |
| K14   | 543972   | REAR HANDLE GROUND SUPPORT   |
| K15   | 543973   | PURGE BULB                   |
| K16   | 543974   | REAR HANDLE SCREW            |
| K17   | 543975   | THROTTLE CABLE ASSEMBLY      |
| K18   | 543976   | THROTTLE TRIGGER             |
| K19   | 543977   | TRIGGER SPRING               |
| K20   | 543995   | PURGE BULB TUB               |
| K21   | 543979   | GAS TANK CAP ASSEMBLY        |
| K22   | 543981   | SHOCK ABSORBER SCREW         |
| K23   | 543982   | SHOCK ABSORBER CLUTCH SIDE   |
| K24   | 543983   | SHOCK ABSORBER FRONT         |
| K25   | 543984   | SHOCK ABSORBER FLYWHEEL SIDE |



| Key # | Part No. | Description                         |
|-------|----------|-------------------------------------|
| L1    | 543996   | WATER HOSE VALVE ASSEMBLY           |
| L2    | 547969   | HOSE HANGER                         |
| L3    | 543999   | WATER HOSE WITH PROTECTIVE COVERING |
| L4    | 544000   | CLAMP, WATER HOSE                   |
| L5    | 544001   | CLAMP, WATER HOSE VALVE SIDE        |
| L6    | 544002   | FRONT HANDLE                        |
| L7    | 544003   | SHOCK ABSORBER, FRONT HANDLE        |
| L8    | 543981   | SCREW, SHOCK ABSORBERS              |
| L9    | 544008   | CLIP, FRONT HANDLE                  |
| L10   | 544009   | SCREW, FRONT HANDLE                 |
| L11   | 576679   | MUD FLAP                            |
| L12   | 544011   | BACKING PLATE, MUD FLAP             |
| L13   | 544012   | SCREW, MUD FLAP                     |

## **695XL Replacement Parts & Accessories Price List**

**ICS Diamond Tools and Equipment, Oregon Tool  
4909 SE International Way  
Portland, OR 97222**

**P: 800.321.1240  
E: [icsdiamondtools.com](http://icsdiamondtools.com)**