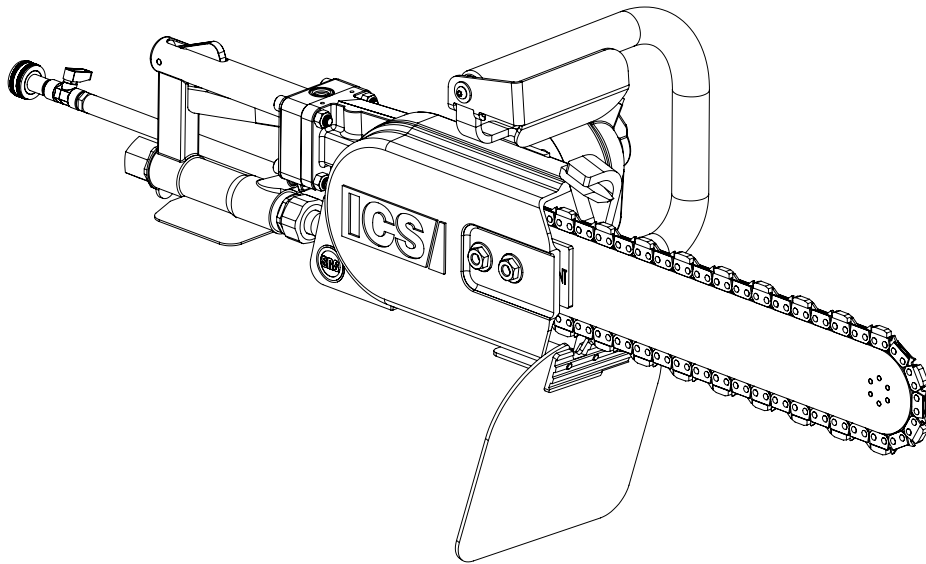
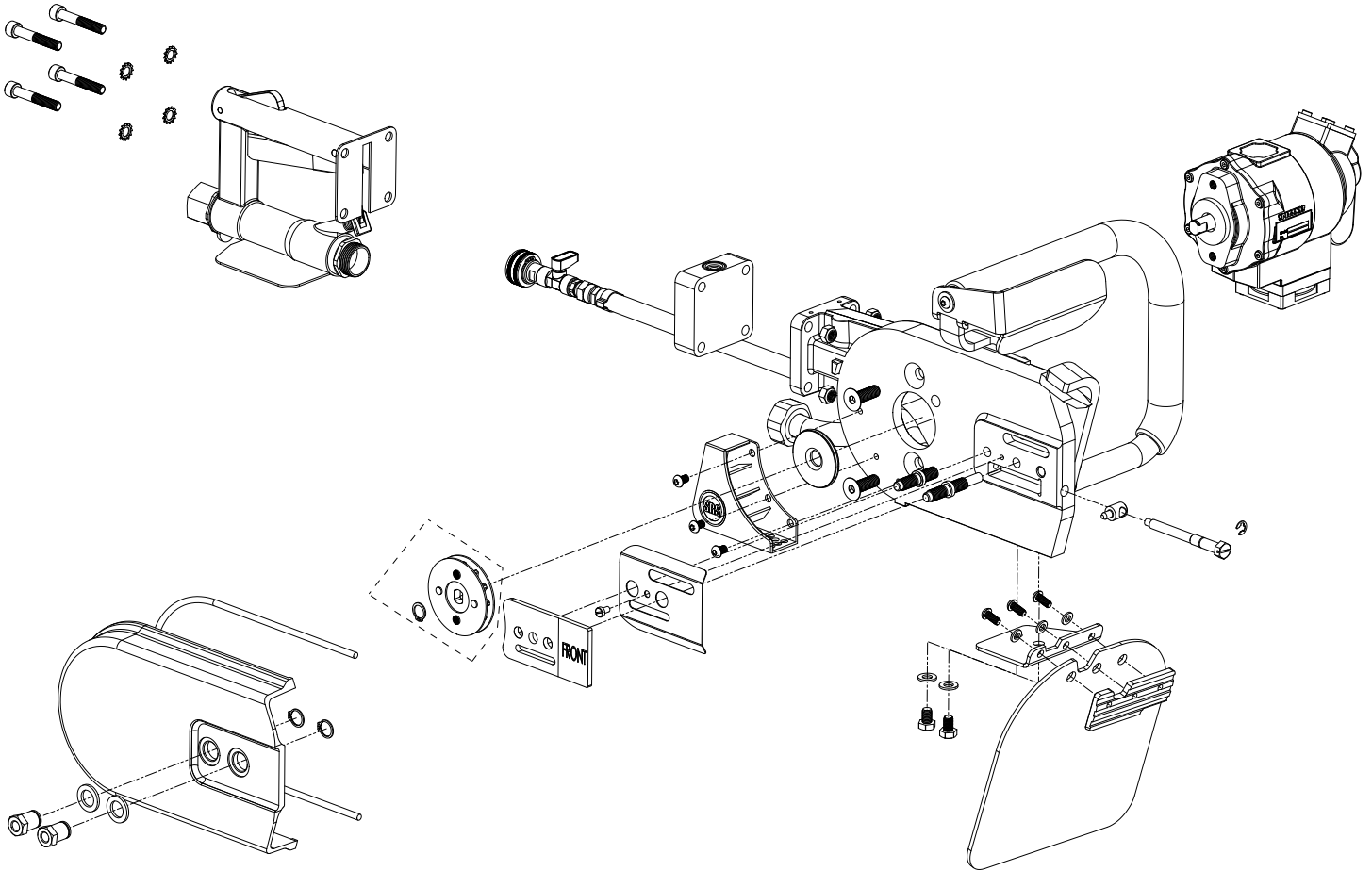




Replacement Parts & Accessories

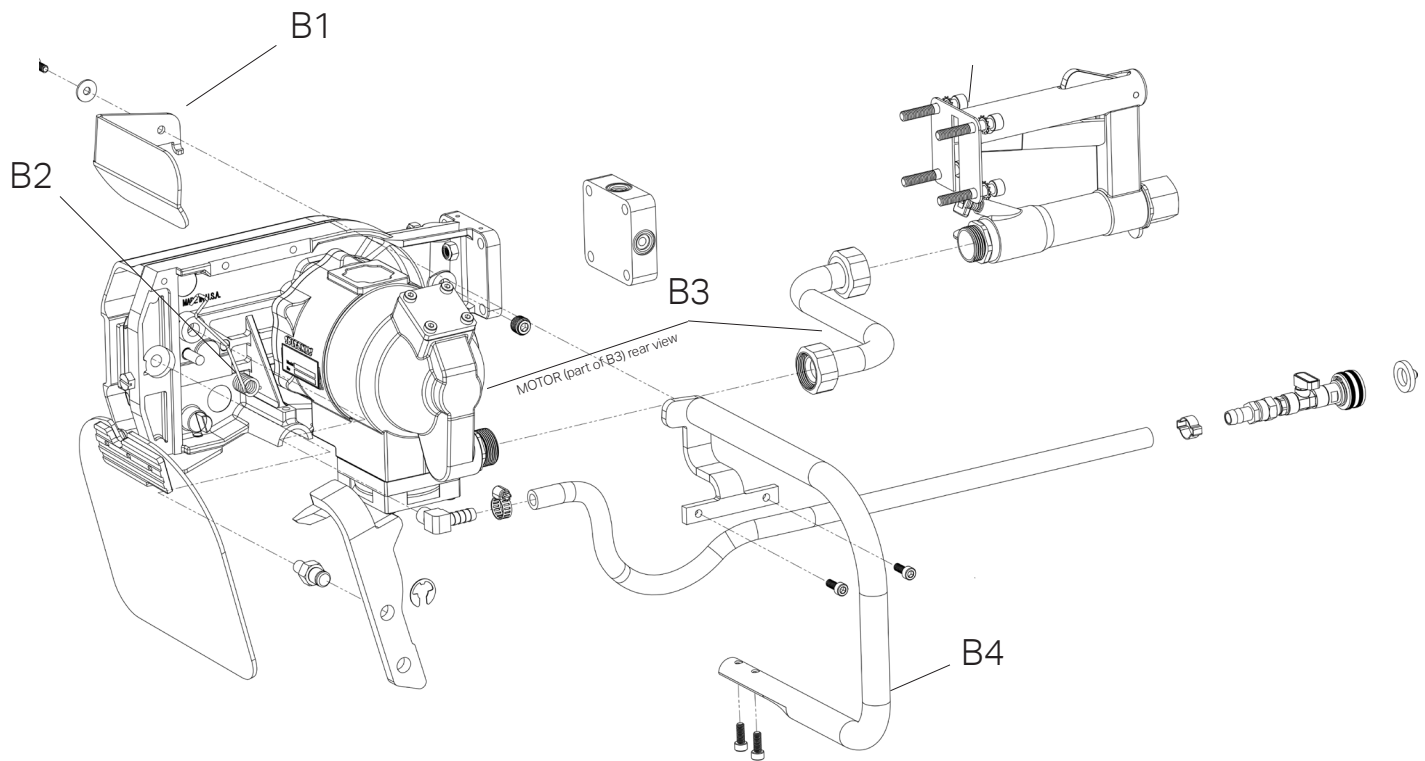


701-A Air Powered Saw



Reference Oregon 890F4 parts list for pricing and availability of un-numbered items

701A REPLACEMENT PARTS AND ACCESSORIES



Key #	Part No.	Description
B1	576326	Front Handle Guard Kit
B2	580707	Rear Handle, Motor & Connection Tube kit (fitting, nylock nuts & flat head cap screws included) See page 2 for screw location
B3	576325	Front Handle Assembly
Not shown	575014	701-A Tune-up Kit ¹
Not shown	575110	PROLUBE, ATL/AF 4 gal case
Not shown	575130	OILER, w/hose whip, 3/4 X 6 ft

¹Tune-up kit includes: Grooved ball bearing (2), Vane (7), O ring (4), gasket (1), pressure spring (2)

Reference Oregon 890F4 parts list for pricing and availability of un-numbered items

701A Replacement Parts & Accessories

**ICS Diamond Tools and Equipment, Oregon Tool
4909 SE International Way
Portland, OR 97222**

**P: 800.321.1240
E: icsdiamondtools.com**